

Wall Mount

EasyLED Excel Round Bulkhead Half Cutoff IP67



Complete Lighting Services Ltd
Tel: 01256 811600 Fax: 01256 811601
email: sales@completelighting.co.uk
web: www.completelighting.co.uk



WPR25HCEQ

Housing:

Die cast aluminum housing & half cutoff front frame, textured powdercoat finish over a chromate conversion coating, gasketed

Lens:

LumaLens polycarbonate opal lens

Mounting:

Surface Mount

Distribution:

Type IV

LumaFit LED:

Array Lumens: 2,485
Delivered Lumens: 1,467
CRI: 82
CCT: 4000K, 5000K
Rated Life: 50,000 Hours
5-Year Warranty
Aluminum Boards

Wattage:

Array: 17w, System: 19.5w

Driver:

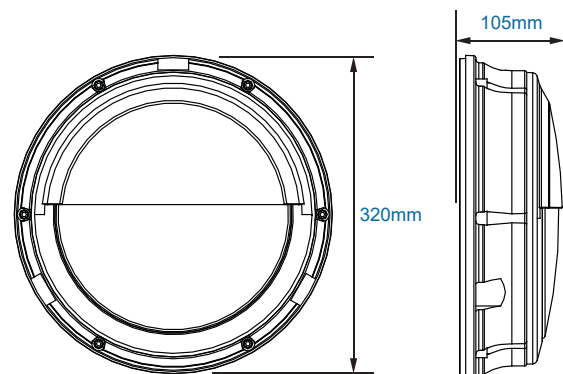
Electronic Driver, 120-277V, 50/60Hz
Dimmable Driver

Listing & Ratings:

CE: Listed for wet locations. IP67
Operating Temperatures: -40°C to +40°C

EasyLED Excel Round Bulkhead Half Cutoff

Catalog #	Description	
Complete Units Ordering Information Example: WPR25HCEQF1X17U5KLBM		
WPR25HCE	Model:	WPR25HCE
Q	LED Mfr:	Q=QSSI
F	Optics:	F=115° Optics
1X	Number of Arrays:	1X=One
17	Wattage:	17=17w
U	Ballast:	U=120-277V
5K	CCT:	4K=4000K, 5K=5000K
L	Lens:	L=LumaLens Polycarbonate Opal Lens
B	Color:	B=Black
M	Options:	M=Microwave Sensor



WPR25HCEQ

Wall Mount



Complete Lighting Services Ltd
Tel: 01256 811600 Fax: 01256 811601
email: sales@completelighting.co.uk
web: www.completelighting.co.uk

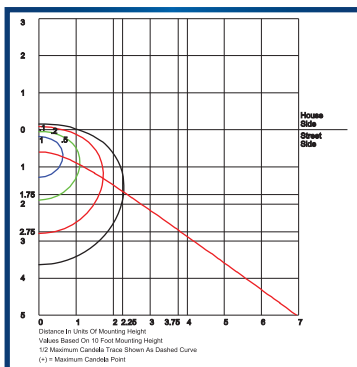
EasyLED Excel Round Bulkhead Half Cutoff



P17114

Catalog #	Description
P17114	Microwave sensor

- **Voltage:** 220VAC/50Hz
- **Working Temperature:** -20°C ~ +60°C
- **Limited Temperature:** -35°C ~ +75°C
- **Microwave Frequency:** ISM 5.8GHz
- **Microwave Output Power:** <10mw
- **Sensing Distance:** 1m ~ 12m, adjustable
- **Sensing Time Delay:** 8 sec. ~ 30 min., adjustable
- **Angle Sensor:** 360°
- **Installation:** Indoor, wall or ceiling
- **Installation Height:** 2m ~ 3.5m, 2.5m suggested



WPR25HCEQF1X17U5K