

## BIG SOSPENSIONE 550

COD: 5488-LBN

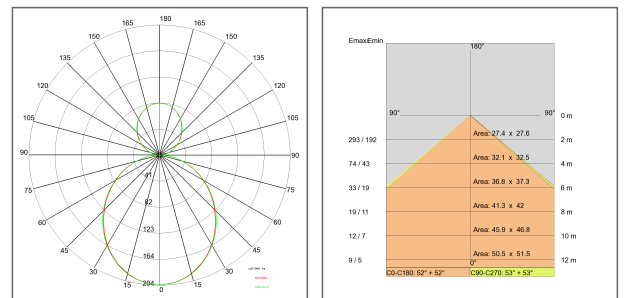
Use:  
inside, led  
Installation:  
Suspended  
Fixing system:  
Adjustable micrometric suspension system with steel cable L = 2100 mm  
Body/structure:  
Aluminium body  
Coating:  
Epoxy powder coating for inside use  
Colour:  
White  
Glass/diffuser:  
Polycarbonate bi-satinated diffuser  
Cable gland:  
Nylon 66 cable locks  
Control gear:  
Integrated LED diodes ballast, stabilized output current 700mA dc

Voltage:	220-240V 50/60Hz
Beam angle :	Symmetric, double emission
Insulation class:	Insulation class 1
Weight:	5,500 kg
IP rating:	40
Glow wire:	[650 °C]
Lamp included:	Yes
Kind of led:	Power LED
Luminaire wattage:	67 W
Luminous flux:	6603 lm
Lamp/led rated life:	50000 hours h
Colour temperature:	4000
CRI:	80
Color constancy:	3 SDCM

Notes:  
Direct light 42W 5500Lm  
2750Lm

Indirect light 21W

Review board: 11-11-2015



Lamp: 1 x LED 63 W 8610 lm

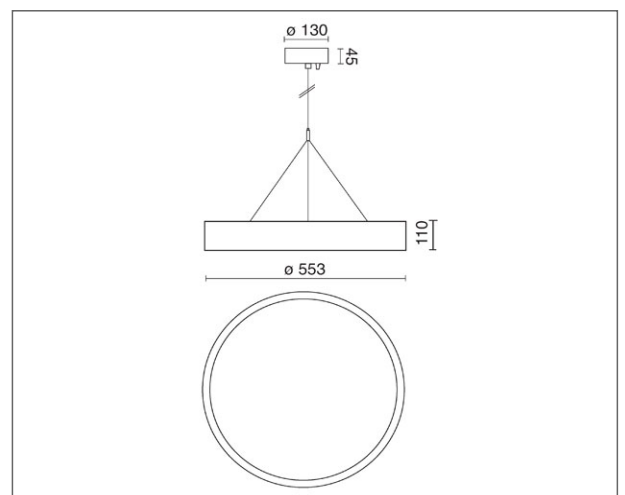


IP 40

A+



RG0



**BIG SOSPENSIONE 550**

COD: 5488-LBN

