

BIG SOSPENSIONE 750
COD: 5494-LBN

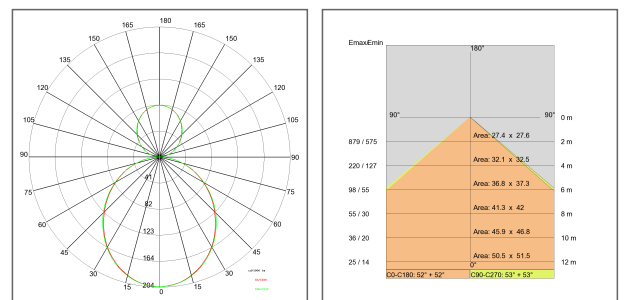
Use:
inside, led
Installation:
Suspended
Fixing system:
Adjustable micrometric suspension system with steel cable L = 2100 mm
Body/structure:
Aluminium body
Coating:
Epoxy powder coating for inside use
Colour:
White
Glass/diffuser:
Polycarbonate bi-satinated diffuser
Cable gland:
Nylon 66 cable locks
Control gear:
Integrated LED diodes ballast, stabilized output current 700mA dc

Voltage: 220-240V 50/60Hz
Beam angle : Symmetric, double emission
Insulation class: Insulation class 1
Weight: 11,200 kg
IP rating: 40
Glow wire: [650 °C]
Lamp included: Yes
Kind of led: Power LED
Luminaire wattage: 124 W
Luminous flux: 13215.2 lm
Lamp/led rated life: 50000 hours
Colour temperature: 4000
CRI: 80
Color constancy: 3 SDCM

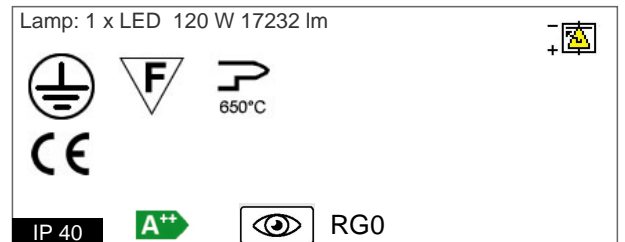
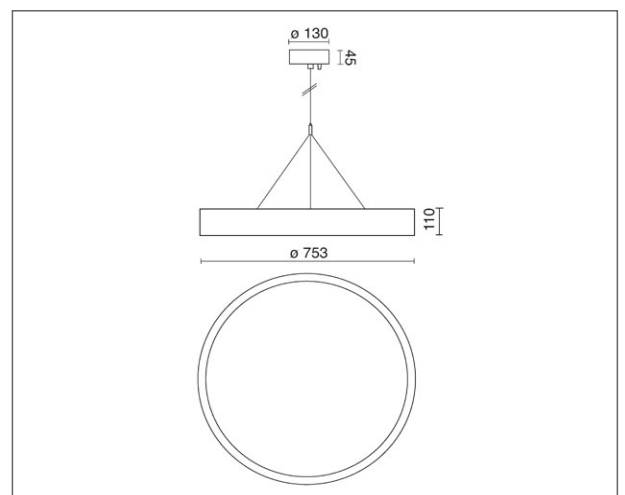
Notes:
Direct light 80W 11200Lm
5600Lm

Indirect light 40W

Review board: 11-11-2015



Lamp: 1 x LED 120 W 17232 lm

BIG SOSPENSIONE 750

COD: 5494-LBN

