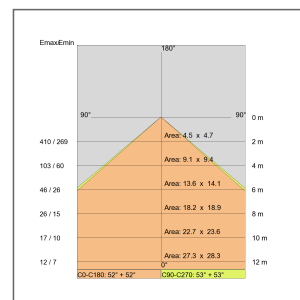
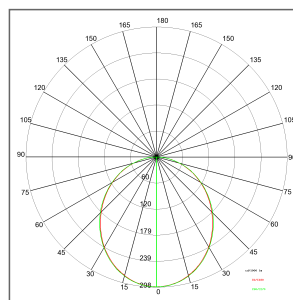


BIG INCASSO 570
COD: 5503-LBN

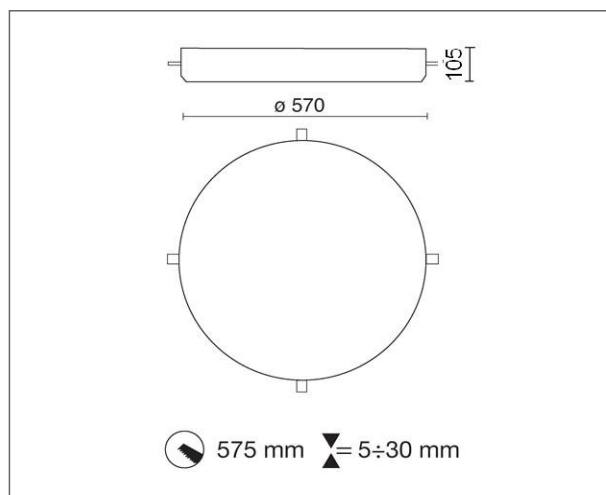
Use:
inside, led
Installation:
Ceiling recessed
Recessed hole:
Recessed hole diam.575 mm. Recessed thickness 5-30 mm
Fixing system:
Adjustable brackets supplied
Body/structure:
Aluminium body
Coating:
Epoxy powder coating for inside use
Colour:
White
Glass/diffuser:
Polycarbonate bi-satined diffuser
Cable gland:
Nylon 66 cable locks
Control gear:
Integrated LED diodes ballast, stabilized output current 700mA dc

Voltage: 220-240V 50/60Hz
Beam angle : Simmetric flood beam
Insulation class: Insulation class 1
Weight: 7,300 kg
IP rating: 40
Glow wire: [650 °C]
Lamp included: Yes
Kind of led: Power LED
Luminaire wattage: 46 W
Luminous flux: 4603.5 lm
Lamp/led rated life: 50000 hours h
Colour temperature: 4000
CRI: 80
Color constancy: 3 SDCM

Review board: 14-01-2016



Lamp: 1 x LED 42 W 5740 lm



BIG INCASSO 570
 COD: 5503-LBN

