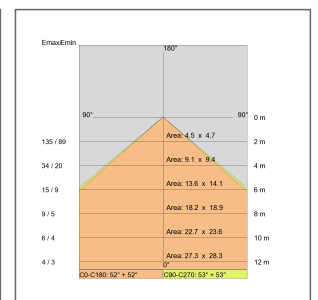
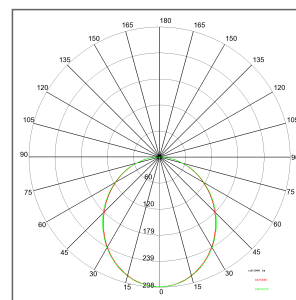


BIG PLAFONE 270
COD: 5505P-LBN

Use:
inside, led
Installation:
Ceiling mounted
Body/structure:
Aluminium body
Coating:
Epoxy powder coating for inside use
Colour:
White
Glass/diffuser:
Polycarbonate bi-satined diffuser
Cable gland:
Nylon 66 cable locks
Control gear:
Integrated LED diodes ballast, stabilized output current 500mA dc

Voltage: 220-240V 50/60Hz
Beam angle : Simmetric flood beam
Insulation class: Insulation class 1
Weight: 1,800 kg
IP rating: 40
Glow wire: [650 °C]
Lamp included: Yes
Kind of led: Power LED
Luminaire wattage: 16 W
Luminous flux: 1563.1 lm
Lamp/led rated life: 50000 hours
Colour temperature: 4000
CRI: 80
Color constancy: 3 SDCM

Review board: 31-08-2015



Lamp: 1 x LED 14 W 1950 lm

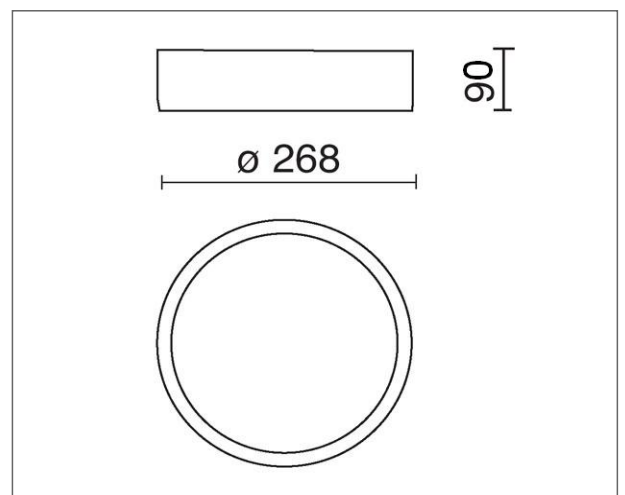


IP 40

A+



RG0



BIG PLAFONE 270
 COD: 5505P-LBN

