

109 Series Datasheet

TRIDONIC
TECHNOLOGY
INSIDE

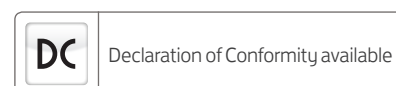
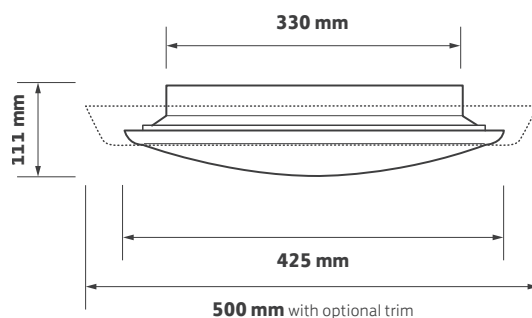
COMPLETE LIGHTING
SERVICES LIMITED
CL^S



Key Features

- ▶ LED bulkhead
- ▶ Built around the Tridonic CLE LED module
- ▶ Opal polycarbonate diffuser to minimise glare and LED spotting
- ▶ Integrated microwave presence detector option
- ▶ Emergency and dimming options
- ▶ Life >50,000 hours (L70/F10)

Technical Drawing



Ordering Information

	Luminaire Output lm	Colour Temp K	Power tcW	Fixed Output	/ECO	Choice Range (No options)
109.101	1425	3000	13	●		●
109.102	1425	4000	13	●		●
109.103	2200	3000	23	●		●
109.104	2200	4000	23	●		●
109.1501	1775	3000	17	●	●	
109.1502	1775	4000	17	●	●	
109.4001	2500	3000	21	●	●	
109.4002	2500	4000	21	●	●	

Options

Please select from the options below.

3 hour emergency	/EM
Sensor on/off	/SO
Sensor dim (10 / 100%)*	/SD

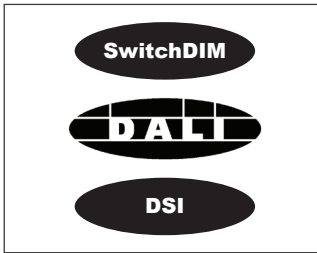
***/SD and /SO not available with /ECO and Choice Range**

109 Series Datasheet

TRIDONIC
TECHNOLOGY
INSIDE

COMPLETE LIGHTING
SERVICES LIMITED
CLS

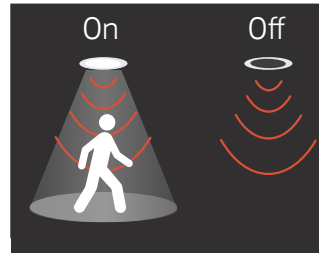
Options



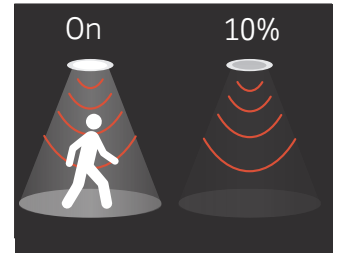
/ECO
SwitchDIM, DALI or DSI



/EM
Integral emergency conversion



/SO
Integral motion sensor on/off



/SD
Integral motion sensor on/10% dim

Accessories



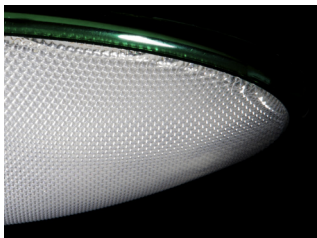
DB001
Gloss white trim



DB002
Brushed aluminium effect trim



DB003
Chrome trim



Product Variation
Prismatic Lens
Call for details



Product Variation
Transparent Colour Bodies
Call for details