

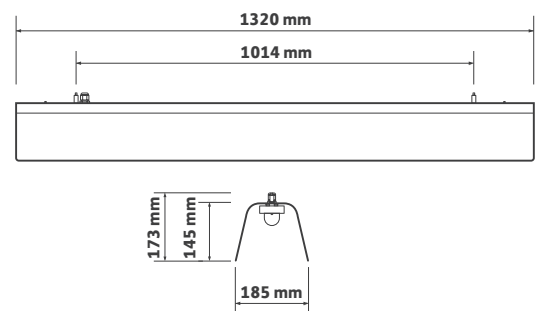
## Key Features

- ▶ Decorative hand finished LED pendant
- ▶ Integrated Tridonic LLE LED module to aid Part L compliance
- ▶ High transmission frosted PMMA diffuser for homogeneous illumination
- ▶ Available in three desirable colourways as standard
- ▶ Bespoke paint finishes available
- ▶ Adjustable 2 m suspension cables
- ▶ Interior finish in white satin
- ▶ Complements 126 Series

## Ordering Information

Module Output	Power	Colour	Model Ref.
1600 lm	11 W	830	<b>127.001</b>
1600 lm	11 W	840	<b>127.002</b>

## Technical Drawing



## Options

Please select from the options below.

Black satin outer, white satin inner	<b>/B</b>
Grey satin outer, white satin inner	<b>/G</b>
Red gloss outer, white satin inner	<b>/R</b>

Contact sales for product variations



# 127 Series Options and Accessories

## Options



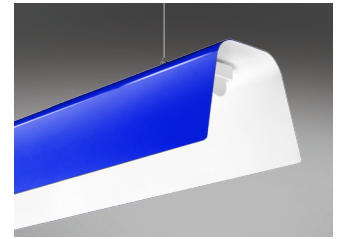
**/B**  
Black satin outer, white satin inner



**/G**  
Grey satin outer, white satin inner



**/R**  
Red gloss outer, white satin inner



**Product variations**  
Other colours and specifications  
available on request



**LED pendants available**  
Please see 126 Series datasheet

# 127 Series Technical

## Technical Information

Nominal weight	<b>6 kg</b>	Operating ambient temperature	<b>-25°C to +35°C</b>
Mains voltage	<b>220 - 240 V</b>	Mains lead	<b>2 m 3 core black PVC</b>
Mains frequency	<b>50 - 60 Hz</b>	Warranty	<b>5 years</b>
Ingress protection from front	<b>IP20</b>	Power factor	<b>&gt;0.9</b>
Ingress protection from rear	<b>IP20</b>	Colour rendering	<b>R<sub>a</sub> 80</b>
Optical efficiency (DLOR)	<b>87%</b>		
MacAdam	<b>3 SDCM</b>		

Model Ref.	Luminaire Power (W)	Module Output (lm)	Module Efficacy (lm/W)	Luminaire Output (Llm)	Luminaire Efficacy (Llm/W)	Colour Temp (K)
<b>127.001</b>	11.0	1596	145	1389	126.2	3000
<b>127.002</b>	11.0	1620	147	1409	128.1	4000

# 127 Series Life

---

## 35°C Ta (Ambient Temperature)

---

Model Ref.	L90 / F10	L80 / F10	L70 / F10
<b>127.001</b>	23,000 h	49,000 h	>60,000 h
<b>127.002</b>	23,000 h	49,000 h	>60,000 h

“**L VALUE**” = % of initial lumens maintained after specified time

“**F VALUE**” = % of fittings failing to meet operational expectations after specified time

### EXAMPLE

- 60,000 hrs L80 / F10 = 80% of initial lumens maintained after 60,000 hours  
= 10% of fittings will have less than 80% of initial lumens after 60,000 hours  
OR  
= 90% of fittings will have maintained 80% of initial lumens after 60,000 hours

# 127 Series Options and Accessories

---

## Options

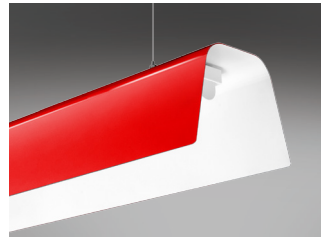
---



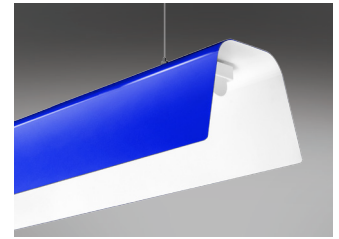
**/B**  
Black satin outer, white satin inner



**/G**  
Grey satin outer, white satin inner



**/R**  
Red gloss outer, white satin inner



**Product variations**  
Other colours and specifications  
available on request



**LED pendants available**  
Please see 126 Series datasheet