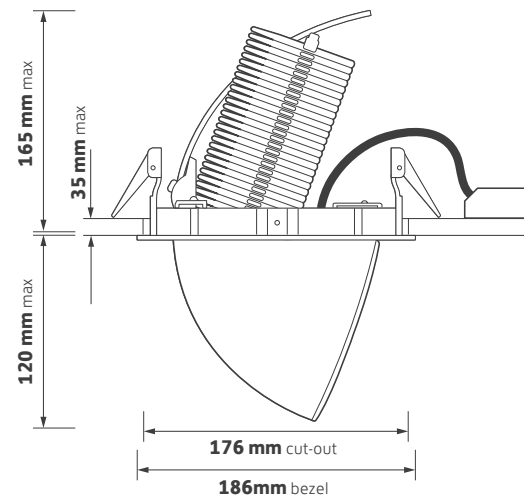




Key Features

- ▶ Fully adjustable LED Scoop
- ▶ Die-cast body finished in white
- ▶ Multi-faceted reflector
- ▶ Matched with Philips Xitanium driver for optimum performance
- ▶ Dimming options
- ▶ Life >60,000 hours (L70 B10)
- ▶ 5 year warranty 50,000 hours
- ▶ Comes with 500 mm supply lead

Technical Drawing



Ordering Information

Output	Power	Colour	Model Ref.
1200 lm	12 W	830	98.1101
1200 lm	12 W	840	98.1102
1900 lm	19 W	830	98.2001
1900 lm	19 W	840	98.2002
2550 lm	27 W	830	98.3001
2550 lm	27 W	840	98.3002

Options

Please select from the options below.

Touch dimming / DALI	/T+DALI
Single Point Connection to an ILEM product	/SPC

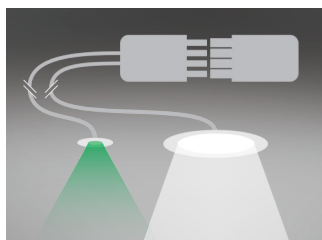


98 Series Options and Accessories

Options



T+DALI
Touch dimming / DALI



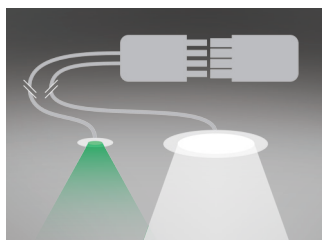
/SPC
Single Point Connection to an ILEM
product

98 Series Options and Accessories

Options



T+DALI
Touch dimming / DALI



/SPC
Single Point Connection to an ILEM product

98 Series Technical

Technical Information

Nominal weight	1.5 kg	Operating ambient temperature	-25°C to +35°C
Mains voltage	220 - 240 V	Mains lead	500 mm LSF
Mains frequency	50 - 60 Hz	Dimming lead	500 mm 2 core LSF
Ingress protection from front	IP20	Warranty	5 years
Ingress protection from rear	IP20	Power factor	>0.9
Optical efficiency (DLOR)	76%	Colour rendering	R_a 80
MacAdam	3 SDCM	White	RAL 9010

Model Ref.	Module Power (W)	Module Output (lm)	Module Efficacy (lm/W)	Luminaire Power (W)	Luminaire Output (Llm)	Luminaire Efficacy (Llm/W)	Colour Temp (K)
98.1101	9.2	1534	132.2	11.6	1166	100.5	3000
98.1102	9.2	1600	137.9	11.6	1216	104.8	4000
98.2001	15.6	2447	132.3	18.5	1860	100.5	3000
98.2002	15.6	2551	137.9	18.5	1939	104.8	4000
98.3001	23.0	3299	123.6	26.7	2507	93.9	3000
98.3002	23.0	3439	128.8	26.7	2614	97.9	4000

98 Series Life

25°C Ta (Ambient Temperature)

Model Ref.	L80 / B10	L70 / B10
98.1101	51,000 h	>60,000 h
98.1102	51,000 h	>60,000 h
98.2001	48,000 h	>60,000 h
98.2002	48,000 h	>60,000 h
98.3001	44,000 h	>60,000 h
98.3002	44,000 h	>60,000 h

“**L VALUE**” = % of initial lumens maintained after specified time

“**B VALUE**” = % of fittings that will have depreciated below the L value after specified time

EXAMPLE

- 50,000 hrs L70 / B50 = 70% of initial lumens maintained after 50,000 hours
= 50% of fittings will have depreciated below 70% of the initial lumens after 50,000 hours
OR
= 50% of fittings will have maintained 70% of the initial lumens after 50,000 hours