

**Bentley 558mm  
LED Highbay  
IP54**



**HB45EQ**  
(Shown with Drop Lens.)

**Housing:**

Die cast aluminum housing with external heat sinks for cooler operating temperatures. Powdercoat finish over a chromate conversion coating. Includes 102mm stem. Maximum stem length: 9.144 meters.

**Lens:**

Tempered clear flat glass lens, tempered clear flat prismatic glass lens, acrylic conical lens, polycarbonate drop lens

**Mounting:**

Mount with included 25mm malleable hook.

**LumaFit LED:**

Array Lumens: 32,060

Delivered Lumens: 27,382 (Clear Lens);  
22,913 (Prismatic Lens);  
27,542 (Conical Lens)

CRI: 72

CCT: 5000K

Rated Life: 50,000 Hours

5-Year Warranty

Aluminum Boards

**Wattage:**

Array: 275.4w, System: 291w

**Driver:**

Electronic Driver, 120-277V, 50/60Hz

Dimmable Driver

**Listing & Ratings:**

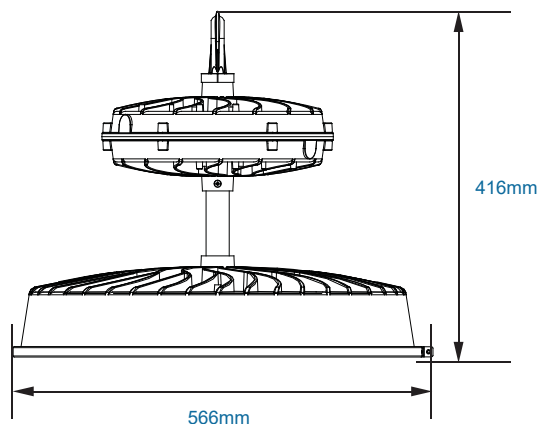
CE: Listed for damp locations

(Lens gasket required.) IP54

Operating Temperatures: -40°C to +40°C

**Bentley 558mm LED Highbay**

Catalog #	Description	
Complete Units Ordering Information Example: HB45EQF1X273U5KGW		
<b>HB45E</b>	Model:	HB45E
<b>Q</b>	LED Mfr:	Q=QSSI
<b>F</b>	Optics:	F=115° Optics
<b>1X</b>	Number of Arrays:	1X=One
<b>273</b>	Wattage:	273=273w
<b>U</b>	Ballast:	U=120-277V
<b>5K</b>	CCT:	5K=5000K
<b>G</b>	Lens:	G=Tempered Clear Flat Glass Lens, P=Tempered Clear Flat Prismatic Glass, C=Acrylic Conical Lens, B=Polycarbonate Drop Lens
<b>W</b>	Color:	W=White



**HB45EQ**

## Bentley 558mm LED Highbay

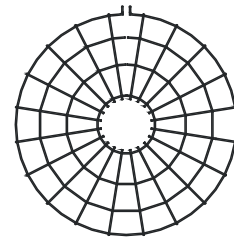
Catalog #	Description
HBPC22	558mm polycarbonate drop lens.
HBCL22	558mm clear prismatic acrylic conical lens. UV stabilized, high-efficiency operation in general applications.
HBAR22WG	558mm Wire Guard
HBPR22	558mm tempered flat prismatic glass.
CPSC	Safety cable, 914mm steel cable with clear vinyl coating, steel eye and loop ends.



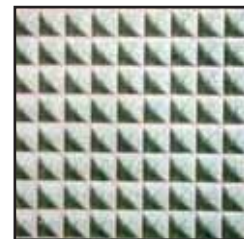
HBPC22



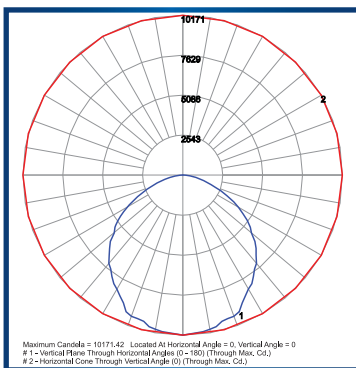
HBCL22



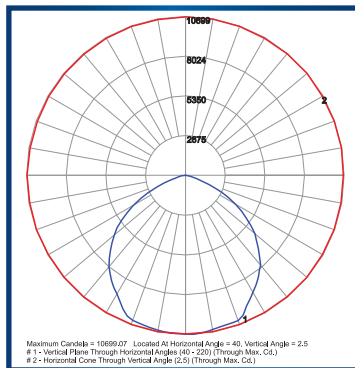
HBAR22WG



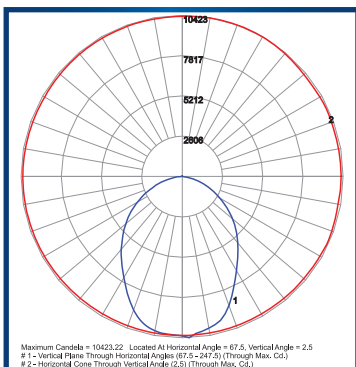
HBPR22



HB45EQF1X273U5KC



HB45EQF1X273U5KG



HB45EQF1X273U5KP



CPSC

Complete Lighting Services Ltd  
 Tel: 01256 811600 Fax: 01256 811601  
 email: [sales@completelighting.co.uk](mailto:sales@completelighting.co.uk)  
 web: [www.completelighting.co.uk](http://www.completelighting.co.uk)