

# 103 Series Datasheet

**PHILIPS**  
TECHNOLOGY  
INSIDE

COMPLETE LIGHTING  
**CLS**  
SERVICES LIMITED



/MF50



/SP40

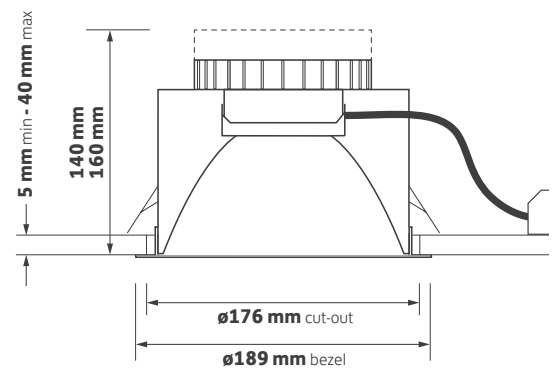


189 mm

## Key Features

- ▶ Reduced profile bezel to minimise visual impact
- ▶ 60° Satin etched reflector
- ▶ Optimised thermal management system
- ▶ Dimming and emergency conversion options
- ▶ Life >60,000 hours (L70/B10)
- ▶ 5 year warranty 50,000 hours
- ▶ Comes with 500 mm supply lead

## Technical Drawing



DC

Declaration of Conformity available

## Ordering Information

Luminaire Output lm	Power tcW	Colour	Model Ref.
1075	15	830	<b>103.1100.30</b>
1175	15	840	<b>103.1100.40</b>
1775	25	830	<b>103.2000.30</b>
1950	25	840	<b>103.2000.40</b>
2550	34.5	830	<b>103.3000.30</b>
2775	35	840	<b>103.3000.40</b>
3475	46.5	830	<b>103.5000.30</b>
3800	46.5	840	<b>103.5000.40</b>

## Options

Please select from the options below.

50° Multifacted reflector	<b>/MF50</b>
40° Specular reflector	<b>/SP40</b>
Touch dimming / DALI	<b>/T+DALI</b>
Casambi Bluetooth wireless network	<b>/BTC</b>
EM conversion	<b>/EM</b>
DALI EM & self-test conversion	<b>/EMD</b>
Integral indicator for EM conversion	<b>I</b>

# 103 Series Options and Accessories

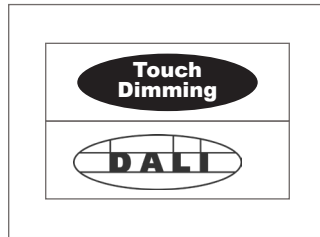
## Options



**/MF50**  
 50° Multifaceted reflector



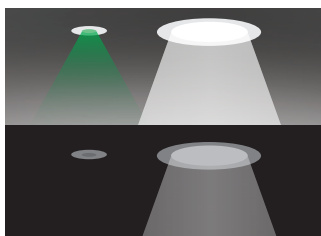
**/SP40**  
 40° Specular reflector



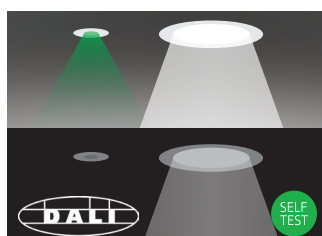
**/T+DALI**  
 Touch dimming / DALI



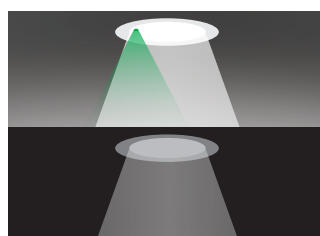
**/BTC**  
 Casambi Bluetooth wireless network  
 (inc dim)



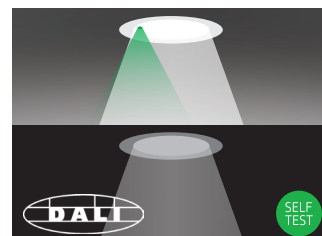
**/EM**  
 EM conversion with remote indicator



**/EMD**  
 DALI and Self-test EM conversion with  
 remote indicator



**/EMI**  
 EM conversion with integral indicator



**/EMDI**  
 DALI EM conversion with integral  
 indicator

## Accessories



**HALOKIT.002**  
 Halo kit - maximum cut-out 250 mm