

# 130 Series Datasheet

TRIDONIC  
TECHNOLOGY  
INSIDE

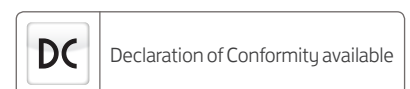
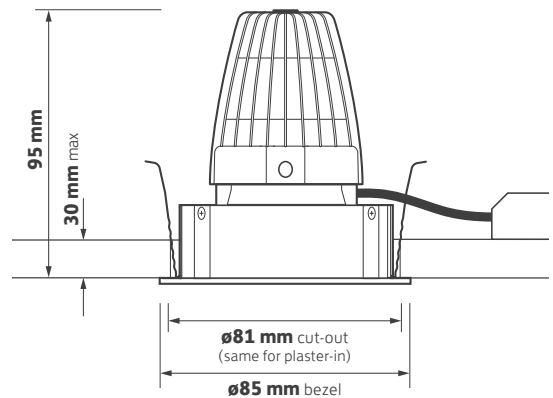
COMPLETE LIGHTING  
SERVICES LIMITED  
CLS



## Key Features

- ▶ Low glare architectural downlight
- ▶ Discreet minimal bezel, die-cast from pure aluminium
- ▶ Matt black darklight baffle, developed to minimise glare
- ▶ Fitted with an integral IP44 protective lens as standard
- ▶ Precision moulded 40° reflector
- ▶ Tridonic LED engine and driver system
- ▶ Excellent thermally optimised 24 super-fin die-cast heatsink
- ▶ Short circuit, overload and temperature protection
- ▶ Complements 131, 132 and 133 Series

## Technical Drawing



## Ordering Information

Engine Output lm	Power W	Colour	Model Ref.
600	8.0	927	<b>130.001</b>
675	6.0	830	<b>130.002</b>
700	6.0	840	<b>130.003</b>
850	10.0	927	<b>130.004</b>
850	8.0	830	<b>130.005</b>
900	8.0	840	<b>130.006</b>

## Options

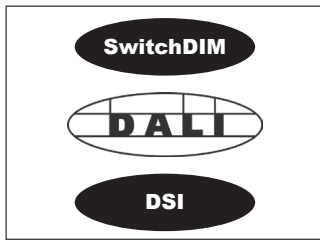
Please select from the options below.

SwitchDIM, DALI or DSI	<b>/ECO</b>
Narrow beam reflector 20°	<b>/NB</b>
EM conversion	<b>/EM</b>
DALI and self test EM conversion	<b>/EMD</b>
EM conversion with integral indicator	<b>/EMI</b>
DALI/self test EM conversion with integral indicator	<b>/EMDI</b>
Plaster-in bezel version	<b>/PI</b>
White softlight baffle	<b>/WSB</b>
Ra90 High colour rendering	<b>/9</b>
Casambi wireless network (inc dim)	<b>/BTC</b>

# 130 Series Options and Accessories



## Options



**/ECO**  
SwitchDIM, DALI or DSI



**/NB**  
20° Narrow beam reflector



**/EM**  
EM conversion



**/EMD**  
DALI and self test EM conversion



**/EMI**  
EM conversion with integral indicator



**/EMDi**  
DALI/self test EM conversion with integral indicator



**/R9**  
Ra90 High colour rendering



**/BTC**  
Casambi wireless network (inc dim)



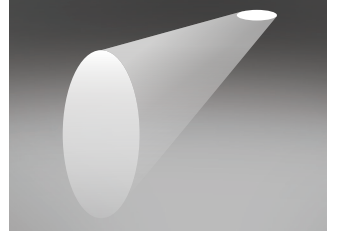
**/PI**  
Plaster-in bezel version (cut-out ø81 mm)



**/WSB**  
White softlight baffle



**Product variations**  
Other colours and specifications available on request



**Wall wash available**  
Please see 131 Series datasheet



**Square available**  
Please see 132 Series and 133 Series datasheets