

# 148 Series Datasheet

TRIDONIC  
TECHNOLOGY  
INSIDE

COMPLETE LIGHTING  
SERVICES LIMITED  
**CLS**

High output over  
**10,000 llm**



**IP65**

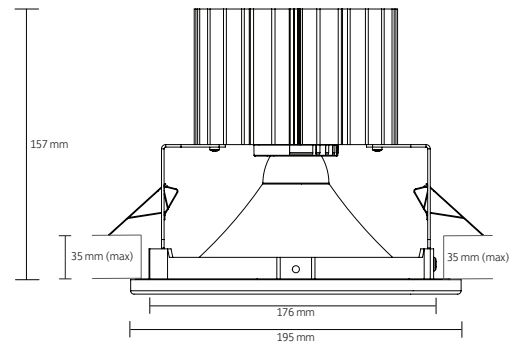


195 mm

## Key Features

- ▶ Ultra high output LED downlight - over 10,000 llm
- ▶ Tridonic SLE and Citizen high output LED modules
- ▶ Thermally optimised passive heatsink
- ▶ Die-cast twist and lock bezel
- ▶ Spun aluminium satin etched reflector
- ▶ IP54, IP65 and DALI options
- ▶ Short circuit, overload and temperature protection

## Technical Drawing



**DC** Declaration of Conformity available

## Ordering Information

LED	Luminaire Output llm	Power tcW	Colour	Model Ref.
Tridonic	7800	78	830	<b>148.101</b>
Tridonic	8150	78	840	<b>148.102</b>
Citizen	10,225	105	830	<b>148.103</b>
Citizen	10,525	105	840	<b>148.104</b>

## Options

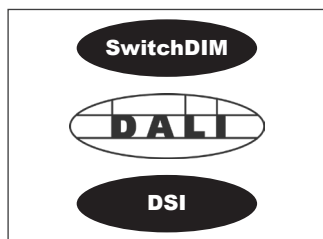
Please select from the options below.

TA300 bezel options	<b>/BWH /WH /CH /BA</b>
SwitchDIM, DALI or DSI	<b>/ECO</b>
EM conversion	<b>/EM</b>
DALI and Self-test EM conversion	<b>/EMD</b>
Integral indicator for EM conversion	<b>I</b>
IP65 bezel option	<b>/65</b>

# 148 Series Options and Accessories



## Options



**/ECO**  
SwitchDIM, DALI or DSI



**/EM**  
EM conversion



**/EMD**  
DALI and self-test EM conversion



**TA340**  
IP54 Clear glass



**/65**  
IP65 Clear glass

## Bezel Finish



**TA300/WH**  
White bezel - RAL9010



**TA300/BWH**  
White bezel - RAL9016



**TA300/CH**  
Chrome bezel



**TA300/BA**  
Brushed aluminium bezel



**HALOKIT.002**  
Halo kit - maximum cut-out 250 mm