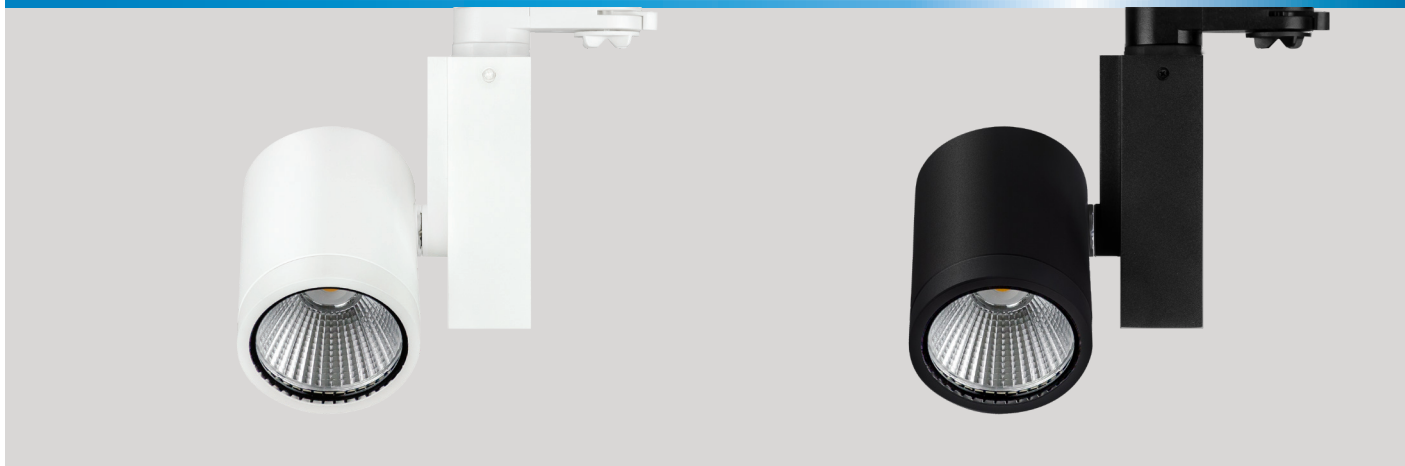


# 150 Series Datasheet

TRIDONIC  
TECHNOLOGY  
INSIDE

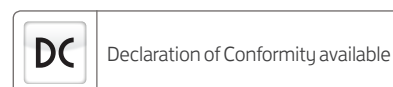
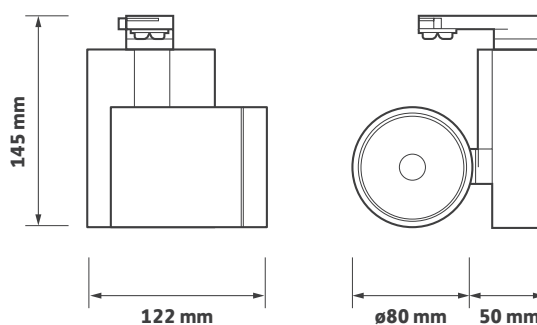
COMPLETE LIGHTING  
SERVICES LIMITED  
**CLS**



## Key Features

- ▶ A contemporary track spotlight with vertical gear housing
- ▶ Swivel and tilt adjustment for added flexibility
- ▶ High colour rendering option
- ▶ Medium beam reflector as standard, other beam options available
- ▶ Dimming option
- ▶ Compatible with Stucchi Track
- ▶ Short circuit, overload and temperature protection
- ▶ Life up to >60,000 hours (L70 / B10)
- ▶ White as standard, black is also available

## Technical Drawing



## Ordering information

Luminaire Output lm	Power tcW	Colour	Model Ref.
1025	11	830	<b>150.001</b>
1025	11	840	<b>150.003</b>
1750	23	830	<b>150.005</b>
1750	23	840	<b>150.007</b>

## Options

Please select from the options below.

Black	<b>/BK</b>
Dimming	<b>/DALI</b>
Narrow beam	<b>/NB</b>
Wide beam	<b>/WB</b>
High colour rendering	<b>R<sub>a</sub> &gt;90</b>

# 150 Series Options and Accessories



## Options



**/NB**  
Narrow beam reflector



**/WB**  
Wide beam reflector



**High colour rendering**  
See technical

## Finishes



**/BK**  
Black

## Also Available



**Product variations**  
Other colours and specifications  
available on request



**Horizontal gear housing**  
See 151 Series



**Track**  
See Stucchi ONETRACK