

60 Series Datasheet

PHILIPS
TECHNOLOGY
INSIDE

COMPLETE LIGHTING
CLS
SERVICES LIMITED



170 mm

Key Features

- ▶ Die-cast bezel with UB option for a range of accessories
- ▶ Highly specular reflector
- ▶ Dimming and emergency conversion options
- ▶ Life >60,000 hours (L70 / B10)
- ▶ Available in two system performance levels

System Performance Levels

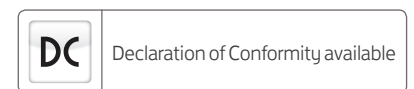
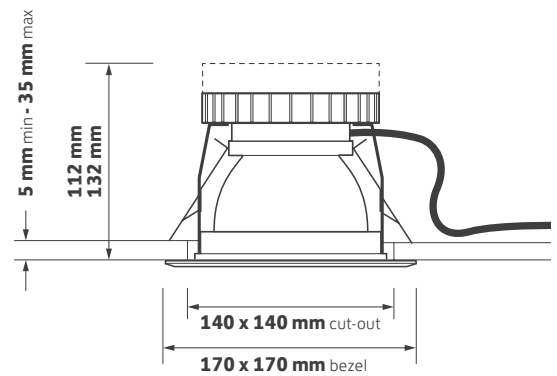
Performance - a high performance system for professional lighting applications.

Luminaire Output (lm)	Power (tcW)	Colour	Model Ref.
1075	11	830	60.1100.30
1075	11	840	60.1100.40
2075	20	830	60.2000.30
2075	20	840	60.2000.40
3075	30	830	60.3000.30
3075	30	840	60.3000.40
4800	46	830	60.5000.30
4800	47	840	60.5000.40

Choice - a professional cost effective driver on board solution for less demanding applications.

Luminaire Output (lm)	Power (tcW)	Colour	Model Ref.
1100	10	840	60.101
1975	18	840	60.102
3025	27	840	60.103

Technical Drawing



Please select from the options below.

Universal bezel	/UB
Touch dimming / DALI	/T+DALI
Casambi Bluetooth wireless network	/BTC
EM conversion	/EM
DALI and Self-test EM conversion	/EMD
Integral indicator for EM conversion	I

60 Series Options and Accessories



Options



/EM
EM conversion with remote indicator



/EMD
DALI and self-test EM conversion with remote indicator



/EMI
EM conversion with Integral indicator



/EMDI
DALI and self-test EM conversion with Integral indicator



/UB
Universal bezel option



/BTC
Casambi Bluetooth wireless network (inc dim)

Emergency options not available on Choice range

Accessories

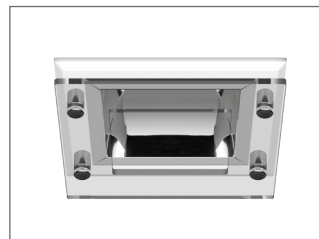
Please specify with Universal Bezel **/UB**



DA001
Clear acrylic



DA002
Opal acrylic



DA003
Clear acrylic halo



DA004
Opal acrylic halo

Also Available



Product variations
Other colours and specifications available on request



Tridonic module
See 113 Series