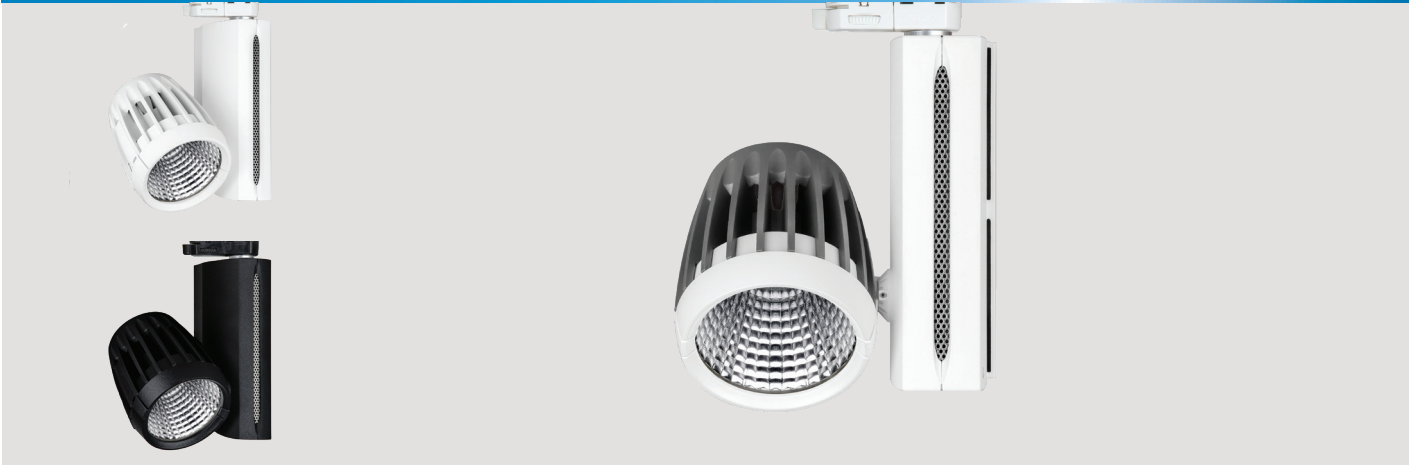


82 Series Datasheet

PHILIPS
TECHNOLOGY
INSIDE

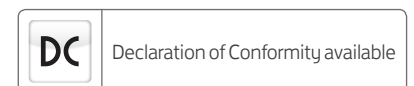
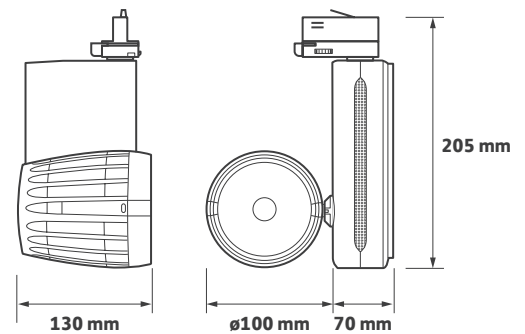
COMPLETE LIGHTING
CLS
SERVICES LIMITED



Key Features

- ▶ High performance, high output, LED track spotlight
- ▶ Philips Premium White Ra90 LED module
- ▶ Highly efficient passive heatsink
- ▶ Low glare 40° multi-faceted reflector as standard
- ▶ Global compatible 3 circuit track adaptor as standard
- ▶ DALI dimming option
- ▶ Life up to >50,000 hours (L70 / B10)

Technical Drawing



Ordering Information

Luminaire Output (lm)	Power (tcW)	Colour	Model Ref.
1150	11.5	930	82.001
1250	11.5	940	82.002
1800	19.5	930	82.003
1925	19.5	940	82.004
2425	27.0	930	82.005
2600	27.0	940	82.006
3450	43.5	930	82.007
3725	43.5	940	82.008

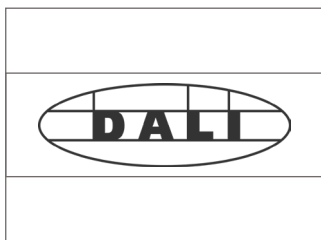
Options

Please select from the options below.

White body, white heatsink	/WH
Black body, grey heatsink	/BKGY
Black body, black heatsink	/BK
DALI dimming	/DALI
25° narrow beam reflector	/NB
60° wide beam reflector	/WB
Barn doors	/BD
Snoot	/SN

82 Series Options

Options



/DALI
DALI dimming



/NB
25° narrow beam reflector



/WB
60° wide beam reflector



/BD
Barn doors



/SN
Snoot

Finishes



/WH
White - RAL9016



/BKGV
Black - RAL9005 / Grey - 9007



/BK
Black - RAL9005

Also Available



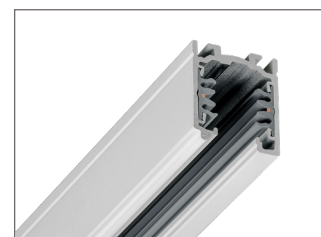
Product variations
Other colours and specifications available on request



Tridonic module
See 80 Series



Xicato module
See 81 Series



Track
See Stucchi ONETRACK