

# 87 Series Datasheet

**PHILIPS**  
TECHNOLOGY  
INSIDE

COMPLETE LIGHTING  
**CLS**  
SERVICES LIMITED



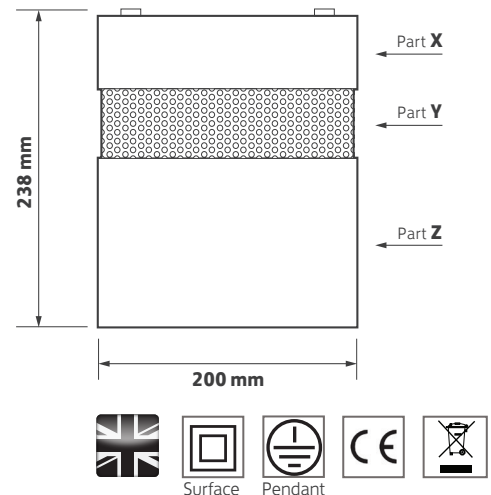
/SP40

/MF50

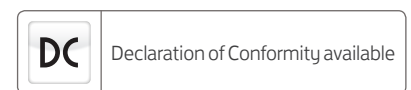
## Key Features

- ▶ Spun aluminium surface downlight with a wide range of options
- ▶ Philips LED and driver combination
- ▶ 60° satin etch reflector as standard
- ▶ Choice of paint finish options
- ▶ Life >60,000 hours (L70/B10)
- ▶ Integral DALI and emergency option
- ▶ Alternative reflector options
- ▶ 2M suspension kit available

## Technical Drawing



Surface Pendant



## Ordering Information

Luminaire Output lm	Power tcW	Colour	Model Ref.
1075	15	830	<b>87.1100.30/XYZ</b>
1175	15	840	<b>87.1100.40/XYZ</b>
1800	25	830	<b>87.2000.30/XYZ</b>
1950	25	840	<b>87.2000.40/XYZ</b>
2550	34.5	830	<b>87.3000.30/XYZ</b>
2775	35	840	<b>87.3000.40/XYZ</b>
3475	46.5	830	<b>87.5000.30/XYZ</b>
3800	46.5	840	<b>87.5000.40/XYZ</b>

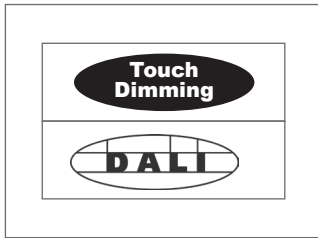
## Options

Please select from the options below.

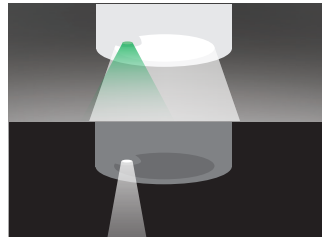
<b>Part X</b>	<b>W</b> = White <b>B</b> = Black <b>G</b> = Grey
<b>Part Y</b>	<b>W</b> = White <b>B</b> = Black <b>G</b> = Grey
<b>Part Z</b>	<b>W</b> = White <b>B</b> = Black <b>G</b> = Grey
Touch dimming / DALI	<b>/T+DALI</b>
50° Multifaceted reflector	<b>/MF50</b>
40° Specular reflector	<b>/SP40</b>
Emergency 60°	<b>/LEM60</b>
Self-test emergency 60°	<b>/LEMS60</b>
2 m suspension kits	<b>/SUS</b>

# 87 Series Options and Accessories

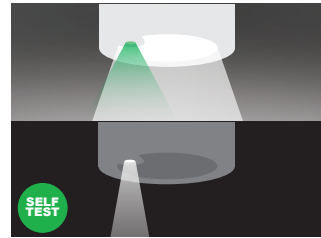
## Options



**/T+DALI**  
 Touch dimming / DALI



**/LEM60**  
 Emergency 60°



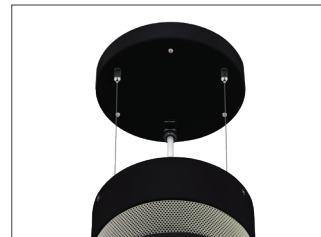
**/LEMS60**  
 Self-test emergency 60°



**/SUSW**  
 2 m suspension kit in white



**/SUSG**  
 2 m suspension kit in grey



**/SUSB**  
 2 m suspension kit in black

## Code examples



**/WBW**  
 White, black, white



**/WGW**  
 White, grey, white



**/BGB**  
 Black, grey, black



**/BBB**  
 Black, black, black

## Accessories (factory fit only)



**TA340**  
 Clear glass



**TA341**  
 Centre etched glass



**TA342**  
 Fully etched glass



**TA343**  
 Clear polycarbonate



**TA344**  
 Opal polycarbonate