

**DOUBLE LIGHT 105 LED**  
COD: E5553-LBN-10

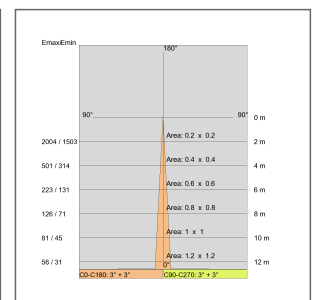
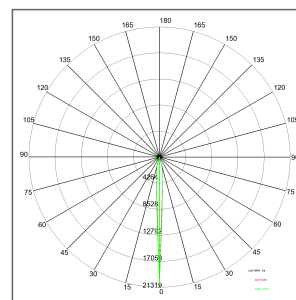
Use:  
outside, led  
Installation:  
Wall mounted  
Body/structure:  
EN AB-47100 Die-cast aluminium body  
Coating:  
Polyester powder coating with special treatment for outdoor use

Colour:  
White  
Optic/reflector:  
Metacrylate LED lens  
Equipment:  
Silicon rubber gaskets  
Glass/diffuser:  
Clear tempered glass  
Cable gland:  
Silicon rubber cable gland PG11

Control gear:  
Integrated LED diodes ballast, stabilized output current 500mA dc

Voltage:	220-240V 50/60Hz
Beam angle :	Symmetric narrow beam 10 Degrees
Insulation class:	Insulation class 1
Weight:	2,100 kg
IP rating:	65
Glow wire:	[650 °C]
IK rating:	6
Lamp included:	Yes
Kind of led:	Power LED
Luminaire wattage:	8.5 W
Luminous flux:	920 lm
Lamp/led rated life:	50000 hours L70 B50
Colour temperature:	4000K
CRI:	80
Color constancy:	5 SDCM

Review board: 04-02-2016



Lamp: 2 x LED 7.5 W 460 lm

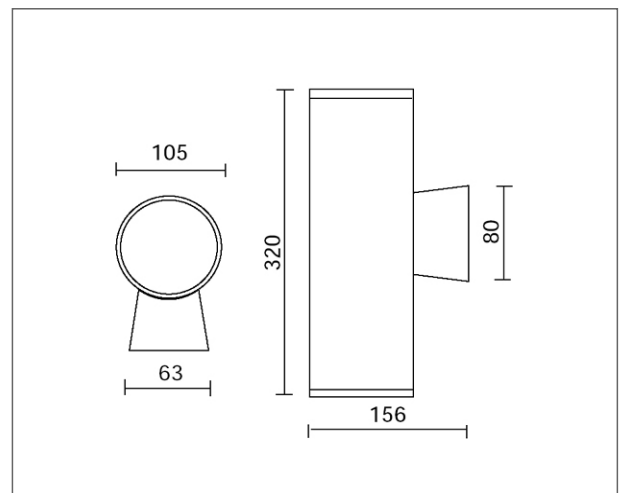


IK 6

IP 65



RG0



**DOUBLE LIGHT 105 LED**  
 COD: E5553-LBN-10

