

# EasyLED EP15 Euro-Projector IP65



EP15EQ

### Housing:

Die cast aluminum housing and top frame, powdercoat finish over a chromate conversion coating, includes yoke and gear tray with wiring connector.

### Lens:

Tempered clear flat glass lens or tempered clear flat prismatic glass lens

### Mounting:

Mounts on included steel mounting yoke.

### LumaFit LED:

Array Lumens: 3,371  
 Delivered Lumens: 2,691  
 CRI: 72  
 CCT: 5000K  
 Rated Life: 50,000 Hours  
 5-Year Warranty  
 Aluminum Boards

### Wattage:

Array: 28w, System: 30.7w

### Driver:

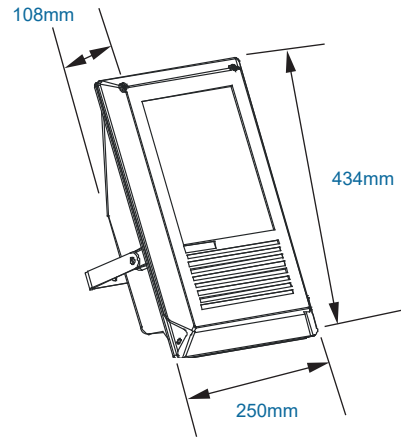
Electronic Driver, 120-277V, 50/60Hz  
 Dimmable Driver

### Listing & Ratings:

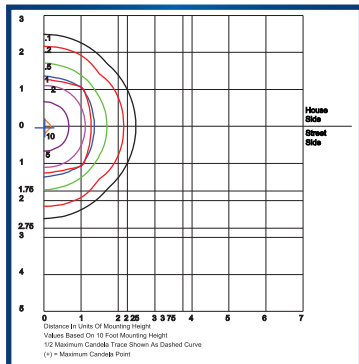
CE: Listed for wet locations. IP65  
 Operating Temperatures: -40°C to +40°C

## EasyLED EP15 Euro-Projector

Catalog #	Description	
Complete Units Ordering Information Example: EP15EQF1X28U5KCBY		
<b>EP15E</b>	Model:	EP15E
<b>Q</b>	LED Mfr:	Q=QSSI
<b>F</b>	Optics:	F=Medium Flood
<b>1X</b>	Number of Arrays:	1X=One
<b>28</b>	Wattage:	28=28w
<b>U</b>	Ballast:	U= 120-277V
<b>5K</b>	CCT:	5K=5000K
<b>C</b>	Lens:	C=Tempered Clear Flat Glass Lens, P=Tempered Clear Flat Prismatic Glass Lens
<b>B</b>	Color:	B=Black
<b>Y</b>	Mounting:	Y=Yoke



EP15EQ



EP15EQF1X28U5KC

Catalog #	Description
EP15GLP	Tempered clear flat prismatic glass lens



EP15GLP

Complete Lighting Services Ltd  
 Tel: 01256 811600 Fax: 01256 811601  
 email: [sales@completelighting.co.uk](mailto:sales@completelighting.co.uk)  
 web: [www.completelighting.co.uk](http://www.completelighting.co.uk)