

**EasyLED Excel Round
Bulkhead Half Cutoff IP67**



WPR25HCEQ

Housing:

Die cast aluminum housing & half cutoff front frame, textured powdercoat finish over a chromate conversion coating, gasketed

Lens:

LumaLens polycarbonate opal lens

Mounting:

Surface Mount

Distribution:

Type IV

LumaFit LED:

Array Lumens: 2,485
Delivered Lumens: 1,467
CRI: 82
CCT: 5000K
Rated Life: 50,000 Hours
5-Year Warranty
Aluminum Boards

Wattage:

Array: 17w, System: 19.5w

Driver:

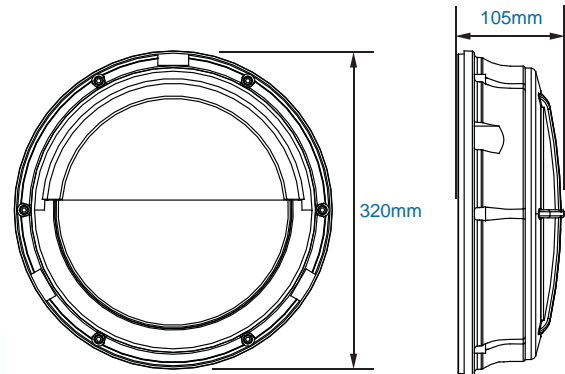
Electronic Driver, 120-277V, 50/60Hz
Dimmable Driver

Listing & Ratings:

CE: Listed for wet locations
IP67

**EasyLED Excel Round
Bulkhead Half Cutoff**

Catalog #	Description	
Complete Units		
Ordering Information		
Example: WPR25HCEQF1X17U5KLBM		
WPR25HCE	Model:	WPR25HCE
Q	LED Mfr:	Q=QSSI
F	Optics:	F=Medium Spread
1X	Number of Arrays:	1X=One
17	Wattage:	17=17w
U	Ballast:	U=120-277V
5K	CCT:	5K=5000K
L	Lens:	L=LumaLens Polycarbonate Opal Lens
B	Color:	B=Black
M	Options:	M=Microwave Sensor



WPR25HCEQ

