

**Large LED Moonglow
 IP65**



WPR32E

Housing:

Round white FR ABS housing with hinged front frame and tool-less entry clips. Low profile opal polycarbonate lens for evenly diffused light.

Mounting:

Surface ceiling or wall mount.

LumaFit LED:

Array Lumens: 3,278
 Delivered Lumens: 2,633
 CCT: 4100K
 50,000 Hours
 No Mercury
 Microwave Sensor ready (WPR32EES Model)
 5-Year Warranty

Wattage:

1x30w

Driver:

Electronic driver, 220-240VAC, 50Hz
 Dimmable driver

Listing & Ratings:

CE: Listed for wet locations, wall and ceiling mount
 IP65

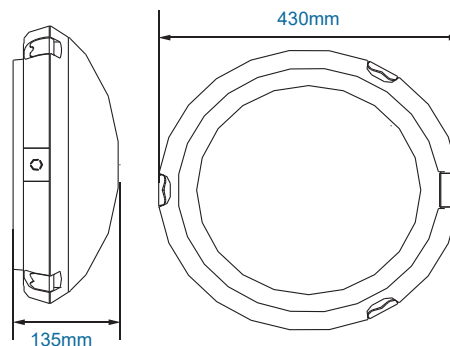
Options:

3 Hour Emergency Battery Backup
 P17114 Microwave Sensor

Large LED Moonglow

Catalog #	Description	
Complete Units		
Ordering Information		
Example: WPR32EES1X30240D41KWHM		
WPR32E	Model:	WPR32E
ES	LED Mfr:	ES=Epistar, Microwave Sensor Ready
1X	Number of Arrays:	1X=One
30	Wattage:	30=30w
240D	Ballast:	240D=220-240V, 50Hz Dimming Capable
41K	CCT:	41K=4100K
WH	Color:	WH=White
M	Options:	M=Microwave Sensor; EM=3 Hour Emergency Battery Backup

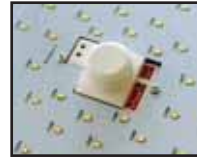
Empty housing also available.
 Order model# WPR32E



WPR32E

Large LED Moonglow

Catalog #	Description
P17114	Microwave Sensor
WPR32TAMKIT	Tamper-Resistant Kit Consisting of 4 Clips and Screws for WPR30E and WPR32E Models. Use One Kit Per Fixture.

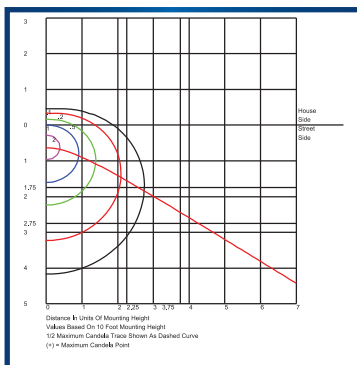


P17114

- **Voltage:** 220VAC/50Hz
- **Working Temperature:** -20°C ~ +60°C
- **Limited Temperature:** -35°C ~ +75°C
- **Microwave Frequency:** ISM 5.8GHz
- **Microwave Output Power:** <10mw
- **Sensing Distance:** 1m ~ 12m, adjustable
- **Sensing Time Delay:** 8 sec. ~ 30 min., adjustable
- **Angle Sensor:** 360°
- **Installation:** Indoor, wall or ceiling
- **Installation Height:** 2m ~ 3.5m, 2.5m suggested



WPR32TAMKIT
(Shown Attached)



WPR32EES1X30240D41K

Complete Lighting Services Ltd
 Tel: 01256 811600 Fax: 01256 811601
 email: sales@completelighting.co.uk
 web: www.completelighting.co.uk