

Deco

UTILISING THE LATEST LED TECHNOLOGY, THE DECO LUMINAIRE ARE PERFECT FOR PROVIDING LOW ENERGY/LONG-LIFE LIGHTING SOLUTIONS FOR INTERIOR, EXTERIOR AND AMENITY APPLICATIONS.



Features

- Cast aluminium and polycarbonate construction
- Photocell activation
- Attractive and robust vandal resistant design to IP65
- Simple installation
- 14 watt, 1240 lumens LED
- Emergency lighting version available

The Deco luminaire provides an attractive but robust solution for providing lighting to walkways, tunnels, storage areas, car parks etc.

The enclosure is sealed to IP65 and houses a geartray with HF electronic driver, photocell controller, emergency gear (where required) and LED board. The polycarbonate optic provides excellent photometric performance (1240 luminaire lumens).

Stylish and resilient

The robust cast aluminium shell and polycarbonate lens is vandal resistant and provides protection to IP65. The integrated photocell controller also has an internal switch override, giving complete control.

Deco is ideal for interior and exterior environments.



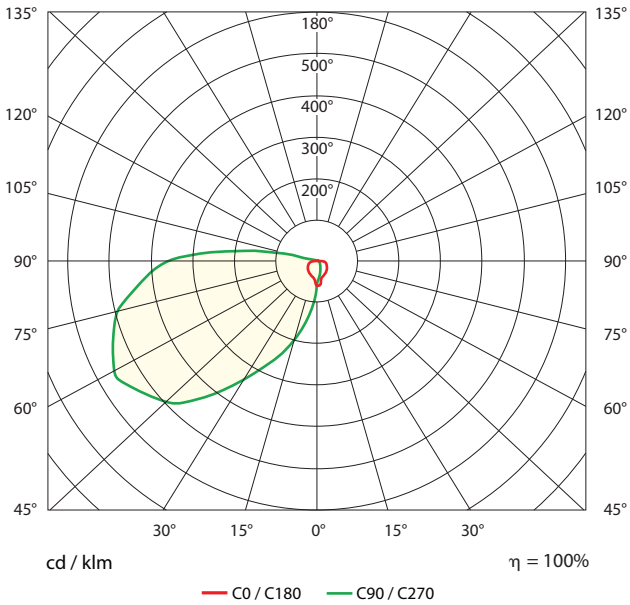
TECHNICAL DATA

December 2015

Deco



PHOTOMETRIC DATA and MECHANICAL DETAIL



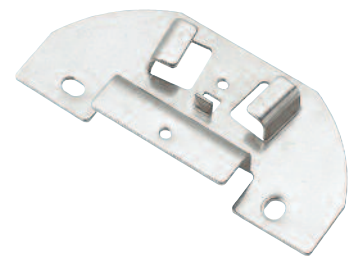
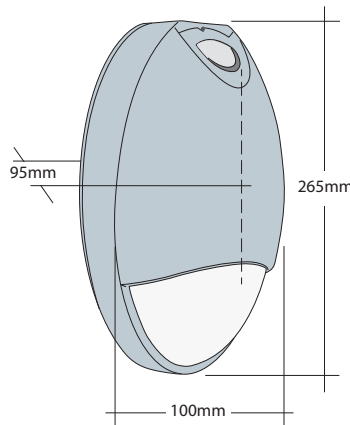
In accordance with its policy of continuous research and product development, the company reserves the right to amend or withdraw specifications without prior notice.

PHOTOMETRY

Luminaire Lumen Output	1240 lumens
Colour Temperature	5000K as standard
RA	>80 as standard
Efficiency	94lm/W

SPECIFICATION

Light Source	LED (5000K) CRI >80
Driver	High PF Electronic
Insulation Class	Class 1 - EN60598
Environmental Rating	IP65
Maximum Weight	2.7kg
Emergency Battery	4.8V 1.8Ah NiCd



First fix plate

Part No	Description
DECO/P/BK	Mains, black body
DECO/M3/BK	Self-contained emergency, black body