

62 Series Datasheet

PHILIPS
TECHNOLOGY
INSIDE

COMPLETE LIGHTING
CLS
SERVICES LIMITED



/MF50



/SP40



195 mm

Key Features

- ▶ High performance LED downlight with 60° satin etched reflector
- ▶ Die-cast twist and lock bezel with interchangeable accessories
- ▶ Optimised thermal management system
- ▶ IP54 and IP65 bezel options
- ▶ Emergency options
- ▶ Life up to >60,000 hours (L70 / B10)
- ▶ Available in two system performance levels

Ordering Information

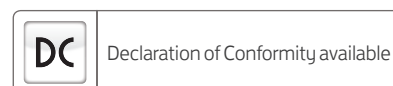
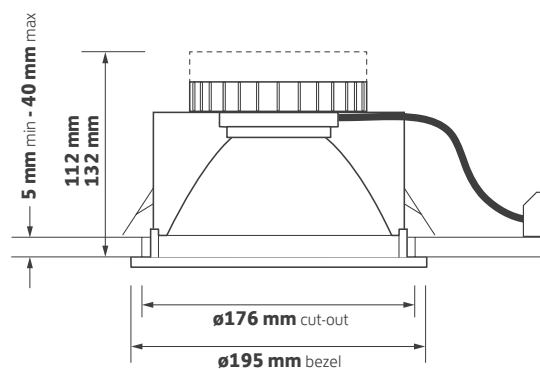
Performance - a high performance system for professional lighting applications.

Luminaire Output (lm)	Power (tcW)	Colour	Model Ref.
1025	9.5	830	62.1100.30
1100	9.5	840	62.1100.40
1750	17.5	830	62.2000.30
1900	17.5	840	62.2000.40
2700	30.5	830	62.3000.30
2925	30.5	840	62.3000.40
4200	46.5	830	62.5000.30
4550	46.5	840	62.5000.40

Choice - a professional cost effective driver on board solution for less demanding applications.

Luminaire Output (lm)	Power (tcW)	Colour	Model Ref.
1025	9.5	840	62.101
1800	17.5	840	62.102
2750	27	840	62.103

Technical Drawing



Options

Please select from the options below.

TA300 bezel options	/BWH /WH /BL /BA
50° Multi-faceted reflector	/MF50
40° Specular reflector	/SP40
IP65 bezel option	/65
Touch dimming / DALI	/T+DALI
Casambi Bluetooth wireless network	/BTC
EM conversion	/EM
DALI and Self-test EM conversion	/EMD
Integral indicator for EM conversion	I
Integral connection to clip in ILEM	/SPCI

62 Series Options and Accessories

Options



/MF50
50° Multifaceted reflector



/SP40
40° Specular reflector



/EM
EM conversion
Not available with Choice



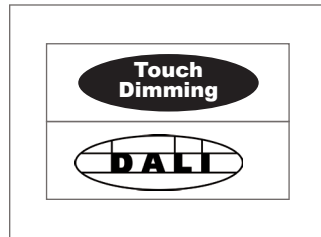
/EMD
DALI and Self-test EM conversion
Not available with Choice



/EMI
Integral indicator for EM conversion
Not available with Choice



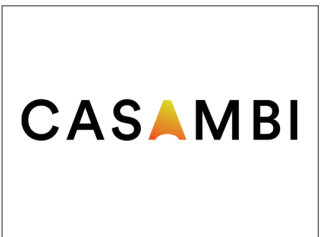
/EMDI
Integral indicator for DALI and self-test EM conversion
Not available with Choice



/T+DALI
Touch dimming / DALI



/SPCI
Single Point Connection to clip in ILEM



/BTC
Casambi Bluetooth wireless network
(inc dim)

Bezel Finish



TA300/WH
White bezel - RAL9010



TA300/BWH
Brilliant white bezel - RAL9016



TA300/BL
Black bezel - RAL9005



TA300/BA
Brushed aluminium bezel



AT300/WH
White anti-tamper bezel



AT300/BL
Black anti-tamper bezel



AT300/BA
Brushed aluminium anti-tamper bezel



GF208 / GF218
Anti-tamper driver / Anti-tamper bit

62 Series Options and Accessories



TA301
White bezel complete with outer etched glass



TA302
White bezel complete with clear glass



TA303
White bezel complete with centre etched glass



TA305
White bezel complete with clear halo glass



TA306
White bezel complete with etched halo glass



TA307
White bezel complete with fully etched glass



CB301
White corona bezel with outer etched glass



CB302
White corona bezel with clear glass



CB303
White corona bezel with centre etched glass



CB305
White corona bezel with clear halo glass



CB306
White corona bezel with etched halo glass



CB307
White corona bezel with fully etched glass



/65
Universal bezel to accept IP65 accessories



IP65/002/195
IP65 Clear glass



IP65/008/195
IP65 Opal polycarbonate



IP65/009/195
IP65 Clear polycarbonate



GF008 / GF010
Anti-tamper driver / Anti-tamper bit for IP65 bezel

62 Series Options and Accessories



TA310/BLACK
Black snoot



TA310/FROST
Frosted snoot



TA310/BLUE
Blue snoot



TA384
Frosted hi-light



TA385
Blue hi-light



TA340
IP54 Clear glass



TA341
IP54 Centre etched glass



TA342
IP54 Fully etched glass



TA343
IP54 Clear polycarbonate



TA344
IP54 Opal polycarbonate



TA317
IP44 Prismatic lens



HALOKIT.002
Halo kit - maximum cut-out 250 mm

Also Available



Product variations
Other colours and specifications
available on request



Tridonic module
See 110 Series