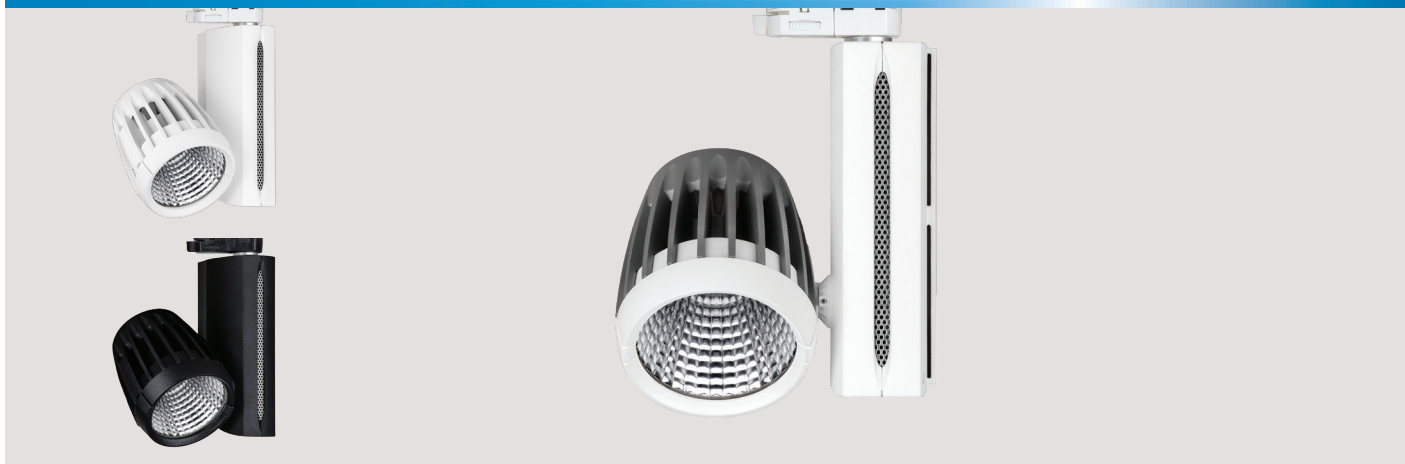


# 80 Series Datasheet

TRIDONIC  
TECHNOLOGY  
INSIDE

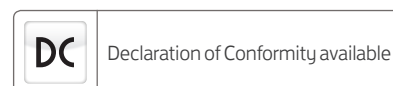
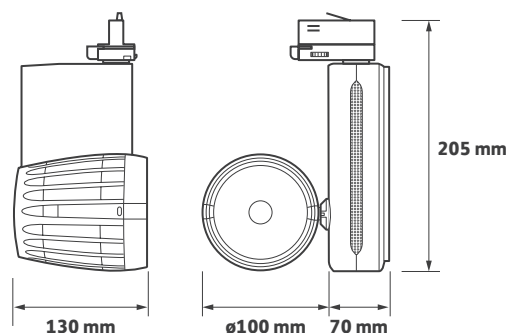
COMPLETE LIGHTING  
SERVICES LIMITED  
**CLS**



## Key Features

- ▶ High performance, high output, LED track spotlight
- ▶ Highly efficient passive heatsink
- ▶ Low glare 40° multi-faceted reflector as standard
- ▶ Global compatible 3 circuit track adaptor as standard
- ▶ White with grey heatsink as standard, other options available
- ▶ DALI Dimming option
- ▶ Life >60,000 hours (L70 / F10)

## Technical Drawing



## Ordering Information

Luminaire Output (lm)	Power (tcW)	Colour	Model Ref.
3025	29	830	<b>80.001</b>
3025	29	840	<b>80.002</b>
3950	37	830	<b>80.003</b>
3950	35	840	<b>80.004</b>
4575	45	830	<b>80.005</b>
4575	43	840	<b>80.006</b>

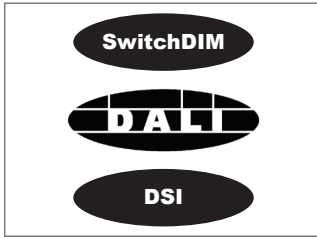
## Options

Please select from the options below.

Black body, grey heatsink	<b>/BKGY</b>
White body, white heatsink	<b>/WH</b>
Black body, black heatsink	<b>/BK</b>
SwitchDIM, DALI or DSI	<b>/ECO</b>
25° Narrow beam	<b>/NB</b>
60° Wide beam	<b>/WB</b>
Barn doors	<b>/BD</b>
Snoot	<b>/SN</b>

# 80 Series Options

## Options



**/ECO**  
SwitchDIM, DALI or DSI



**/NB**  
25° Narrow beam reflector



**/WB**  
60° Wide beam reflector



**/BD**  
Barn doors



**/SN**  
Snoot

## Finishes



**/BKG**  
Black - RAL9005 Grey - RAL9007



**/WH**  
White body and heatsink - RAL9016



**/BK**  
Black body and heatsink - RAL9005

## Also Available



**Product variations**  
Other colours and specifications  
available on request



**Philips module**  
See 82 Series



**Xicato module**  
See 81 Series



**Track**  
See Stucchi ONETRACK